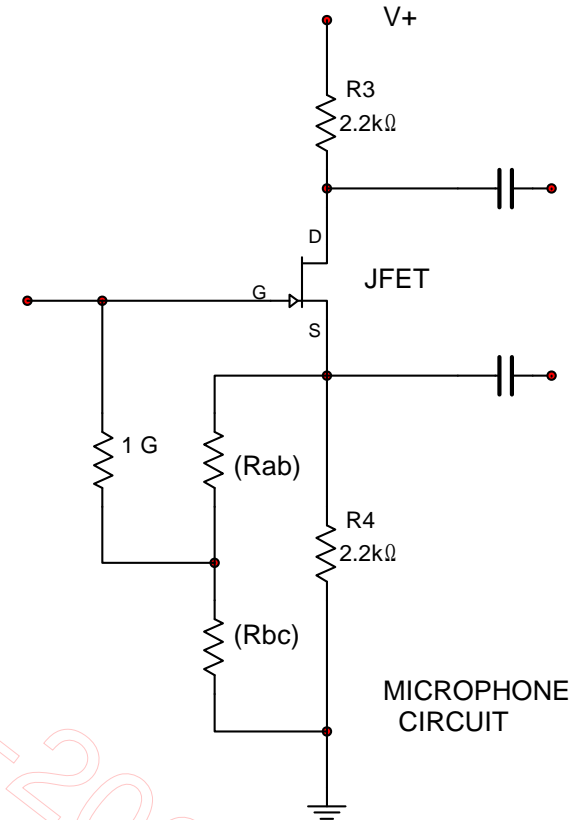
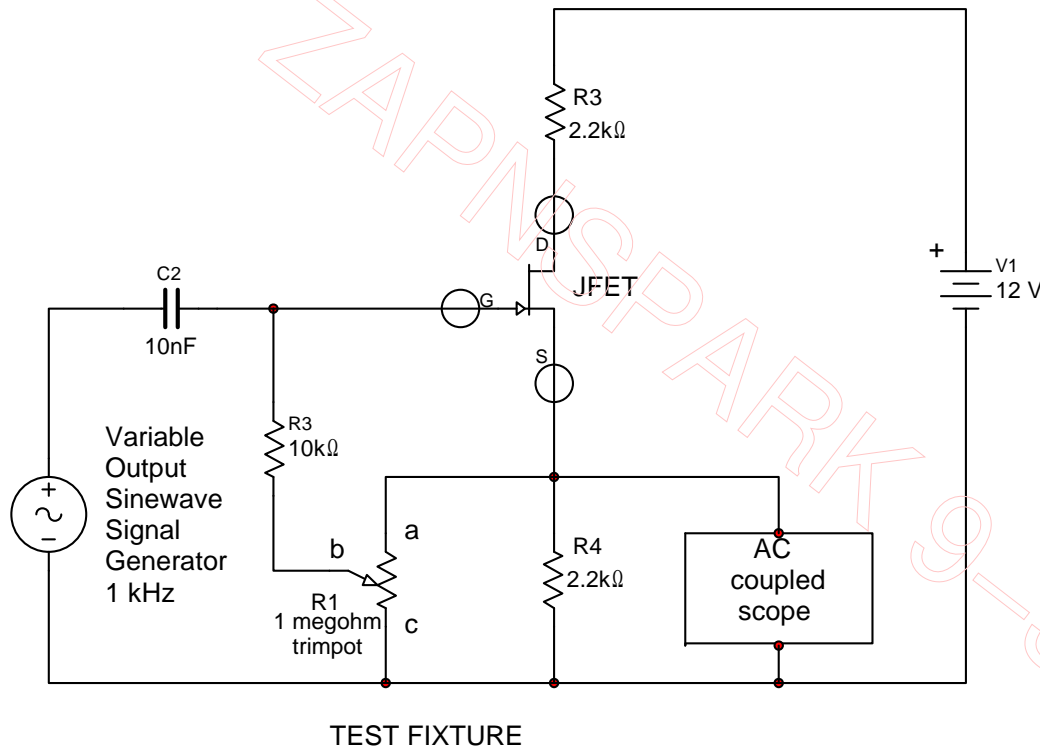


# Selecting JFET bias resistors for a Schoeps type microphone circuit (scope method)



1. Increase the signal generator output until you see clipping/distortion on a positive or negative peak.
2. Adjust R1 until the peak clipping/distortion disappears.  
(Incrementally repeat steps 1 & 2 until BOTH positive and negative peaks are slightly distorted/clipped)
3. Remove R1 from the circuit and measure Rab and Rbc.  
These are the resistors values to use in the actual microphone circuit on the right.

Title: \_BiasingFETScope

Biasing a JFET in a Schoeps type microphone circuit (scope method)

Designed by: Jim G.

Document N: 0001

Revision: 1.5

Checked by: J.G. 21:46:05

Date: 2008-09-30

Size: A

Approved by: J.G. 21:46:05

Sheet 1 of 1